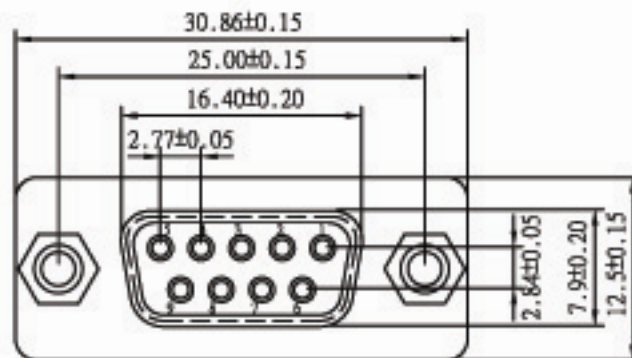
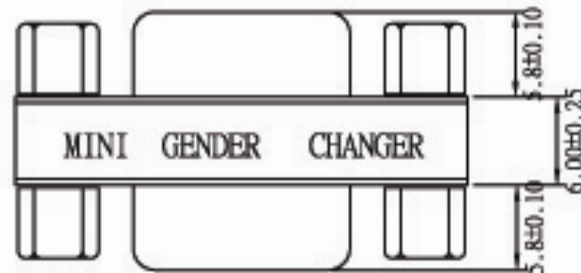
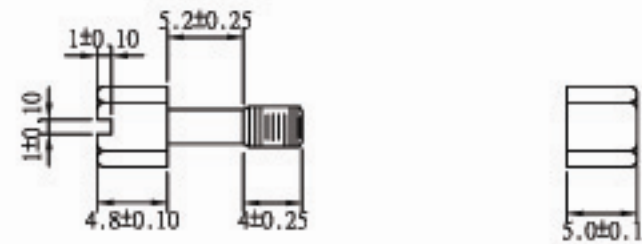
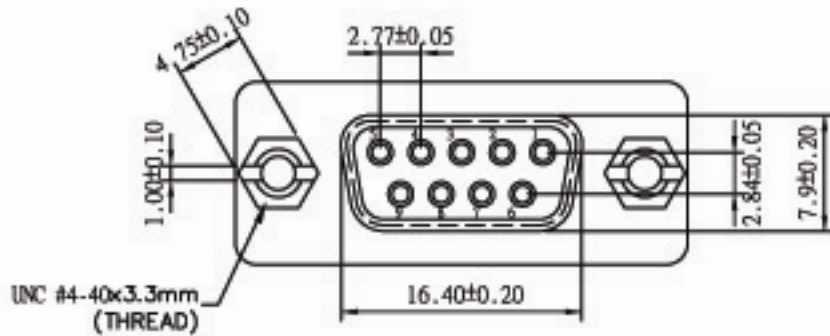


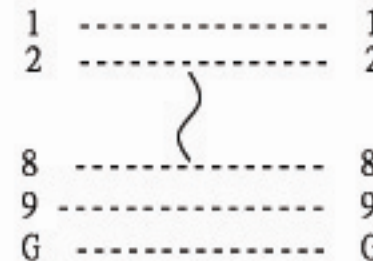
UNC #4-40 Hexscrew

UNC #4-40 Hexnut



DGC 09 F/F GENDER CHANGER
PIN OUT: 9Female

9Female



Label: yellow color with black character
One side: MINI GENDER CHANGER

The other side: U.S.A. PATENT 5199906 GENDER CHANGER

SPECIFICATION

INSULATOR: PBT Glass fibre reinforced UL 94 V0

CONTACT: Brass

CONTACT PLATING: Gold plated over nickel

SHELL: Tin Plated Shell

CURRENT RATING: 3 AMP

DIELECTRIC STRENGTH: 1000V AC for one minute

INSULATOR RESISTANCE: 1000MΩ min at 500V DC

TEMPERATURE: -55°C—+105°C

				Edition	ASSMANN Electronics, Inc.			
				A01	PART NO.		DWG NO.	DATE
				SCALE	AB411-R		TD0003-02	5/Dec-2001
				2:1	UNLESS OTHERWISE SPECIFIED TOLERANCES:			
				UNIT	0.0: 0.20			
				mm	0.05: 0.13			
				Page	0.00: 0.03			
Customer	REVISION	DESCRIPTION	DATE	1/1	DRAWN	huang.y	CHECKED	APPRD
	1	修改貼紙(R.O.C. PATENT 64341 <small>GENDER CHANGER</small> 改稱MINI GENDER CHANGER)	2001/12/5					